

## New Generation Machine

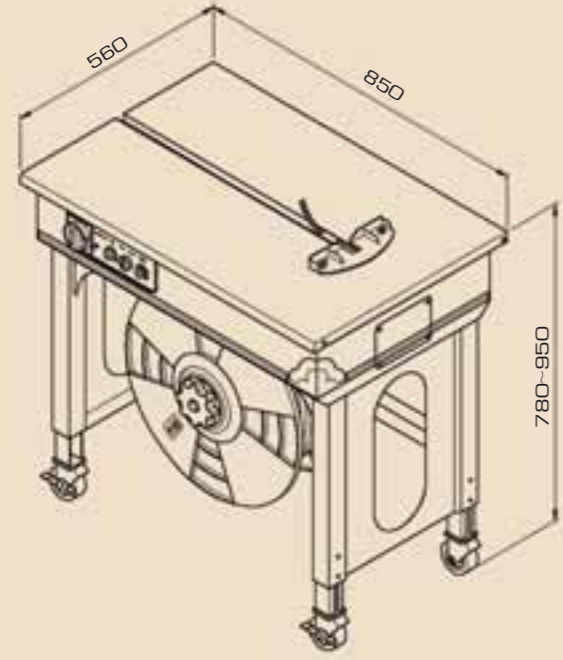
Someday all semi strappers will be made in this way



# GENESIS TP-502

### Main Features:

- ▶ **Compact Mechanical Control Head**  
With 30% less moving parts than conventional machines substantially reduces maintenance issues. There are no belts, chains or pulleys. Extremely low noise sealing head.
- ▶ **Electronic Tension Control**  
Adjustment for wider strap tension (8-45 kg) can be easily done on the front control panel.
- ▶ **Sensor Controlled Heater**  
The faster 24V heating mechanism is sensor controlled assuring you of consistent and high efficiency seals.
- ▶ **Large Main Switch**  
The lockable CE rated large main power switch increases safe operation of the machine.
- ▶ **Adjustable Table Height**  
The table height is adjustable to any height between 780 mm and 950 mm.



### Options

- ▶ Enclosed frame model TP-501
- ▶ Conversion kit for small packages
- ▶ Digital readout for tension and feed settings

### TP-502 TECHNICAL DATA

Strap Width: 5 mm-13 mm  
Strap Tension: 8-45 kg  
Adjustable Table Height: 780 mm-950 mm  
Net Weight: 70 kg  
Power: 110V, 220V, 230V 50/60Hz 1PH

All specifications subject to change without notice.



9F-4, NO.112, SEC. 2, CHUNG SHAN N. ROAD, TAIPEI 104, TAIWAN  
MAILING ADDRESS : P.O.BOX 68-1951, TAIPEI 104, TAIWAN  
TEL : (02) 2581 0126 FAX : 886 2 2562 9849  
WEB : www.transpakcorp.com E-mail : transpak@transpak.com.tw

05.2006x2000

# SEMI-AUTO STRAPPING MACHINE

These machines are our most economical solution for Semi-Auto application. For low to medium volume strapping, our Semi-Auto machine is probably your best choice. In this category, we have two product lines:

- Conventional machine
- New generation machine

GENESIS TP-502



## Conventional Machine

The best sales in the world



# TP-202

### Main Features:

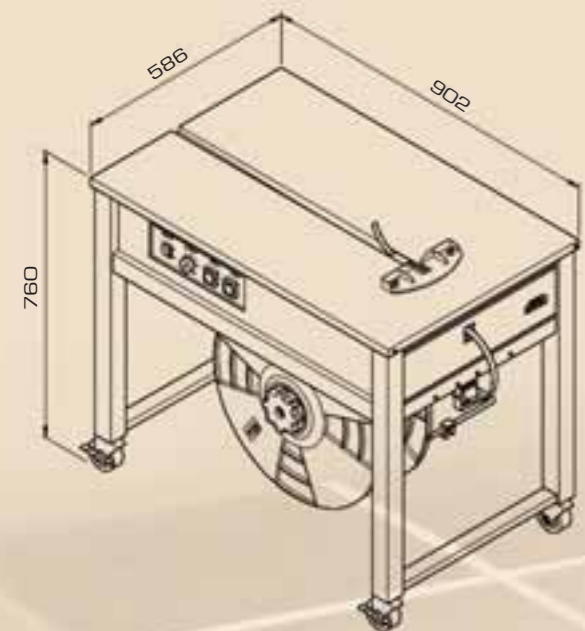
- ▶ Light, compact design
- ▶ Easy operation, simple maintenance
- ▶ Hinged stainless top plate
- ▶ Mechanical outside tension control
- ▶ Rigid castors with brake
- ▶ Automatic motor stop to save energy
- ▶ Reliable P.C. Board electric control
- ▶ Affordable for every budget, total value more than competing brands
- ▶ Proven quality with over 80,000 sets sold

### Options

- ▶ Enclosed frame model TP-201, fixed height
- ▶ Adjustable table height from 760 mm to 930 mm

### TP-202 TECHNICAL DATA

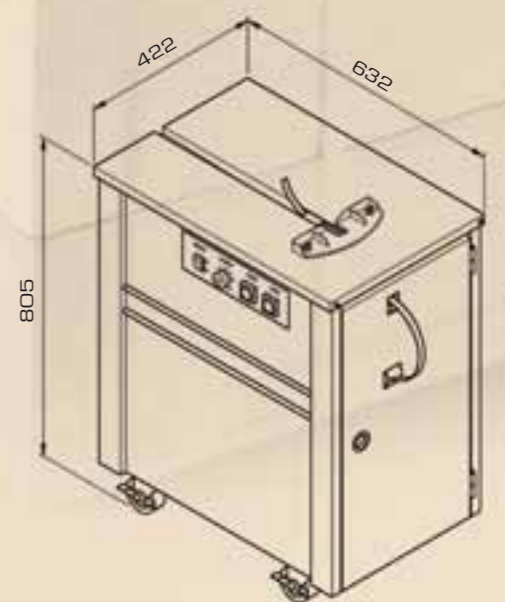
Strap Width: 6 mm-15.5 mm  
Strap Tension: 15-45 kg  
Net Weight: 85 kg  
Power: 110V, 220V, 230V 50/60Hz 1PH



# TP-203

### Main Features:

- ▶ Mid-sized model
- ▶ Net Weight: 80 kg
- ▶ Smoke-exhaustion system
- ▶ Designed specially for office, bank, post office, book and department store...etc.



# TP-202L

### Main Features:

- ▶ Low-table model
- ▶ Net Weight: 80 kg
- ▶ Designed to accommodate tall or heavy packages

