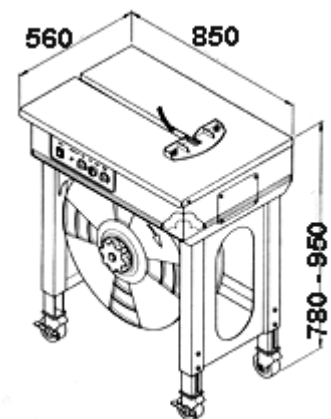


# ASM

- Unlike many of the "ME-TOO" machines, the unique frame design is exceptionally sturdy and durable.
- The table height is adjustable to any height between 780MM and 950MM.
- Wide electronic control tension range 8-45kgs.
- The elimination of chain, belts, and pulley and the simplistic design substantially reduce maintenance issues.
- The motors run only when the machine is cycling.
- All DC motors and heater are "stepped down" to 24V to increase the safety of the machine.
- The camshaft and strap feeding mechanism are adjustable to exactly the correct setting for your application (using jog switch.)
- Weld cooling time may be increased to insure high joint efficiency seals even under high tension.
- The fast heating sealing mechanism is sensor controlled, assuring you of consistent, and high efficiency seals.



## TP-502



Lättskött kontrollpanel.



Värmen kontrolleras med sensorer



Justerbar höjd (780mm - 950mm)

Strap Width: 5mm-13mm

Strap Tension: 8-45kgs

Net Weight: 70kgs/TP-502

Power: 110V, 220V, 230V, 240V(50/60Hz), 1PH

ASM Sweden AB  
Box 9182, 200 39 Malmö  
Bronsyxegatan 9, 213 75 Malmö  
Tel. 040 - 22 89 80  
Fax 040 - 22 89 60  
[www.asm.eu](http://www.asm.eu)