

ASM



TECHNICAL SPECIFICATIONS:

Dimensions:

Height: 2068 mm.

Width: 1533 mm.

Depth: 2380 mm.

Platform height from ground: 86 mm.

Weight: 300 kg.

Power supply: 220 Vac 1P+N (also 220 Vac 3PH+N or 400 Vac 3PH+N are possible)

Power consumption: 0,5 KW

Rotation speed: 12 RPM (adjustable by means of inverter)

Raising and lowering speed of the carriage: Independently adjustable by means of inverter

Max load weight: 1200 kg.

Max load height: 2100 mm.

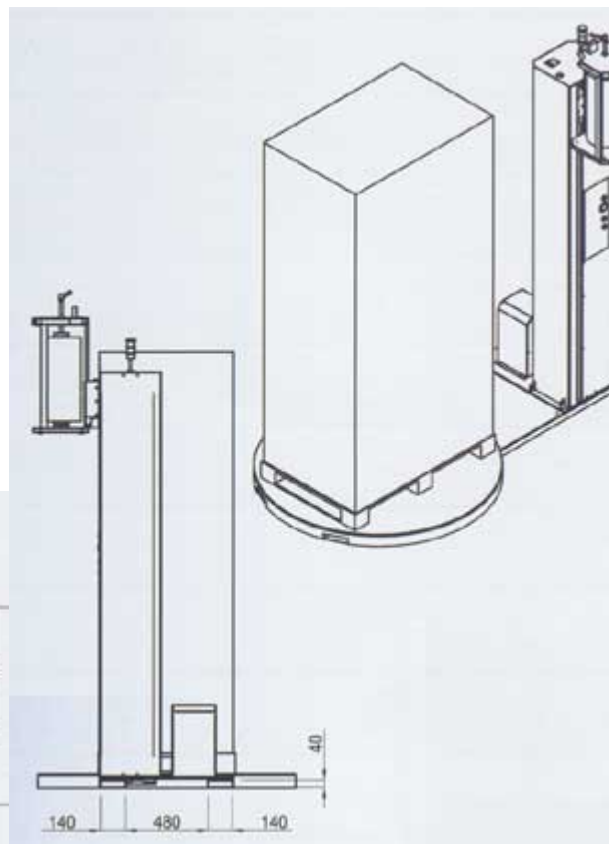
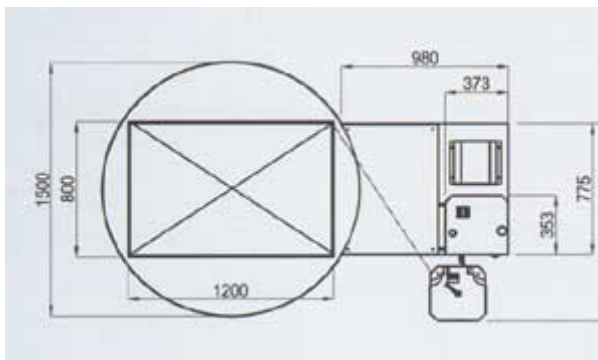
Max load dimensions: 1200X800 mm.

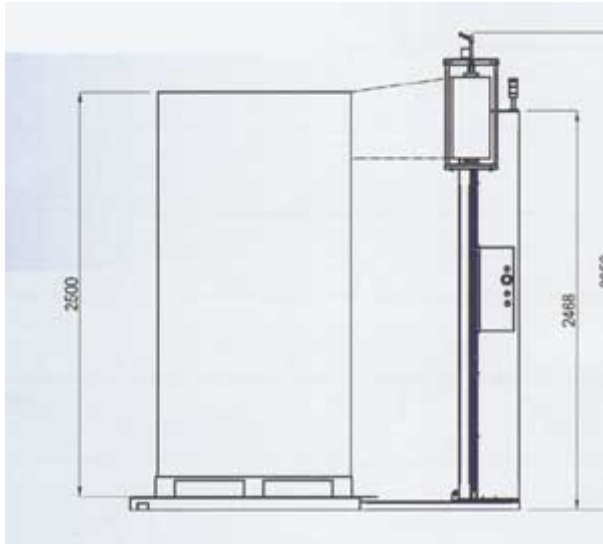
Photocell for pallet height sensing: adjustable

Programmable wrapping cycles: 4 standard; possibility to add more according to customer's needs.

Specially conceived to offer the market an economical product, C•ONE Base is the perfect balance between low price, sturdiness, ease of use and completeness of functions. But in this machine there is room for innovation as well: for example, in the new carriage without rolls and with electro-magnetic brake system, that allows for quick insertion of the film roll, or in the new control panel, with an intuitive system to set programs and parameters, or in the new electronic board with inverter that can control the carriage movement as well. Optional features offer the possibility to wrap bigger and heavier or even unstable loads, to reach the platform with a simple transpallet or to have motorized pre-stretching.

There's a whole world of solutions in C•ONE Base little price!





ASM Sweden AB
Box 9182, 200 39 Malmö
Bronsyxegatan 9, 213 75 Malmö
Tel. 040 - 22 89 80
Fax 040 - 22 89 60
www.asm.eu